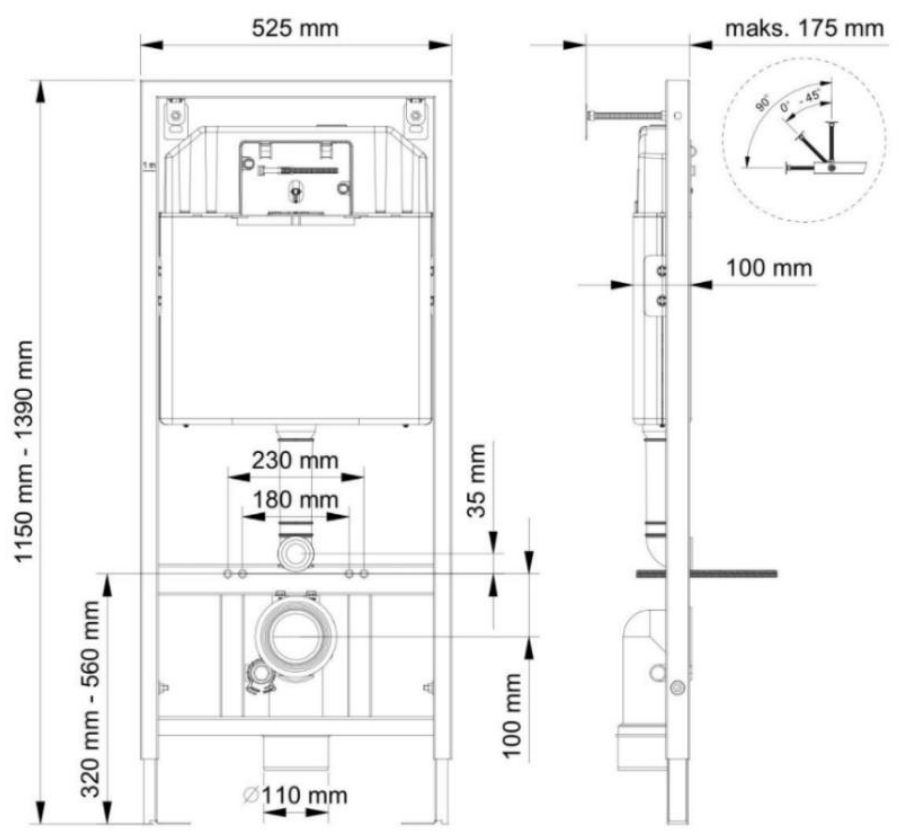


AZOL

Flush 95 Product Introduction

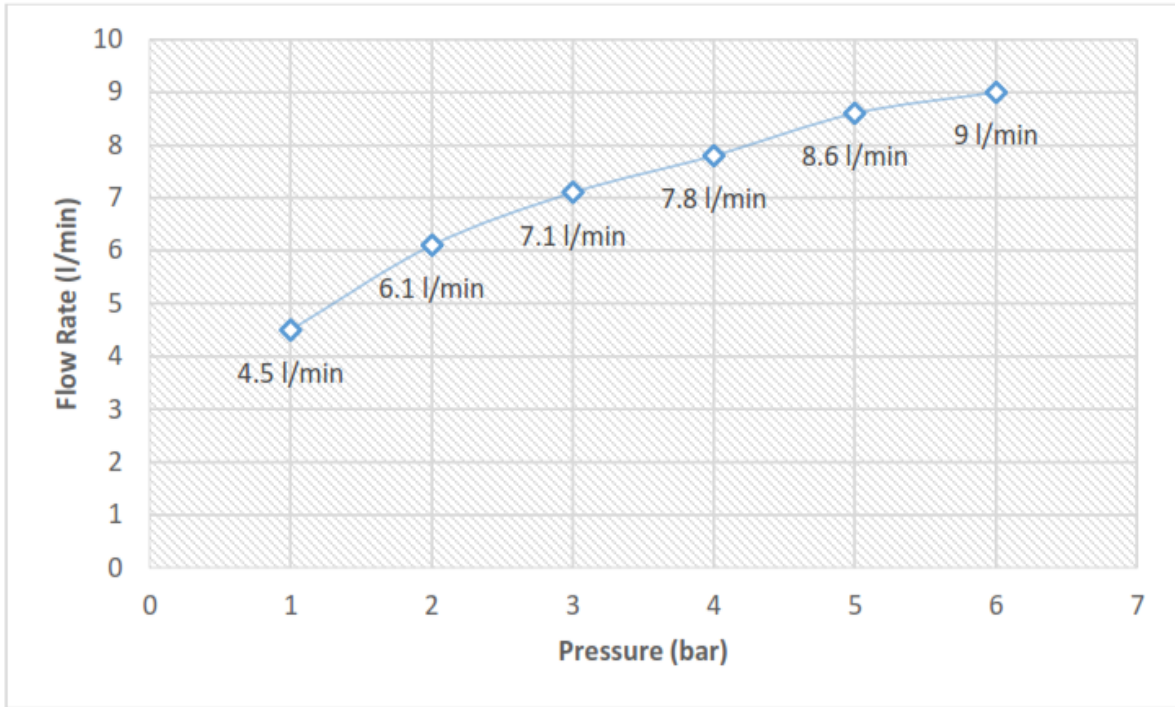
Flush 95 – Product Datasheet

Specification
Complies with the specifications of EN 14055 CL 1-7-NL I VR II.
Features a discharge volume of 3/6 L, making it ideal for dry wall and brick wall installations.
Completely preassembled in the factory, ensuring ease of installation.
Boasts a maximum water tank capacity of 10 L, with a tank depth of 80 mm (overall thickness including frame 100 mm).
Equipped with a mechanical dual flush system for efficient water use.
Water supply connection located at the top right, with a G ½ male connection.
Meets acoustic class 1st Class EN 14124 for the inlet valve.
Capable of handling water flow pressure of 0.3 MPa (3 bar) and a maximum volume of 9.0 dB, with a flow rate of 9 L/min.
Constructed with an impact copolymer special PP body, providing high resistance to impact and thermal shock.
Features a powder-coated tubing profile thick metal frame (30 mm x 40 mm).
WC hanging rods can bear up to 400 KGs, with adjustable distances of 18 or 23 cm between toilet bowls.
Comes with a 10-year warranty for added peace of mind.



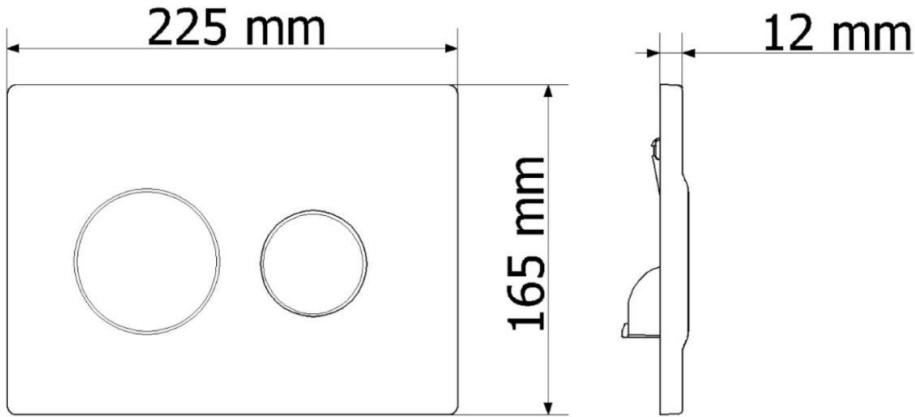
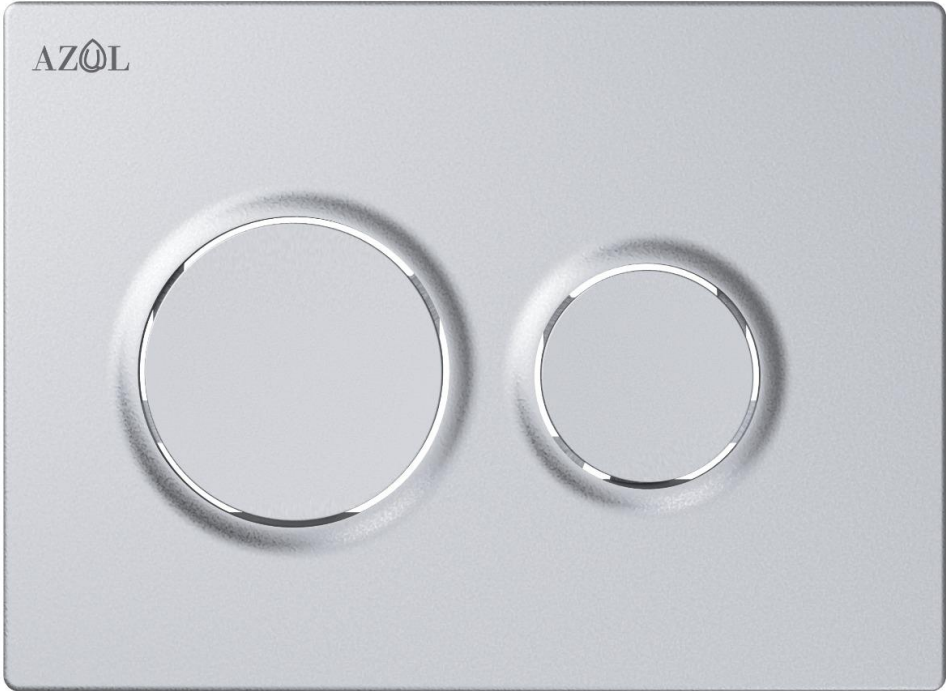
Flush 95 – Pressure Flow Chart for Inlet Valve

Pressure – Flow Rate Chart For Inlet Valve



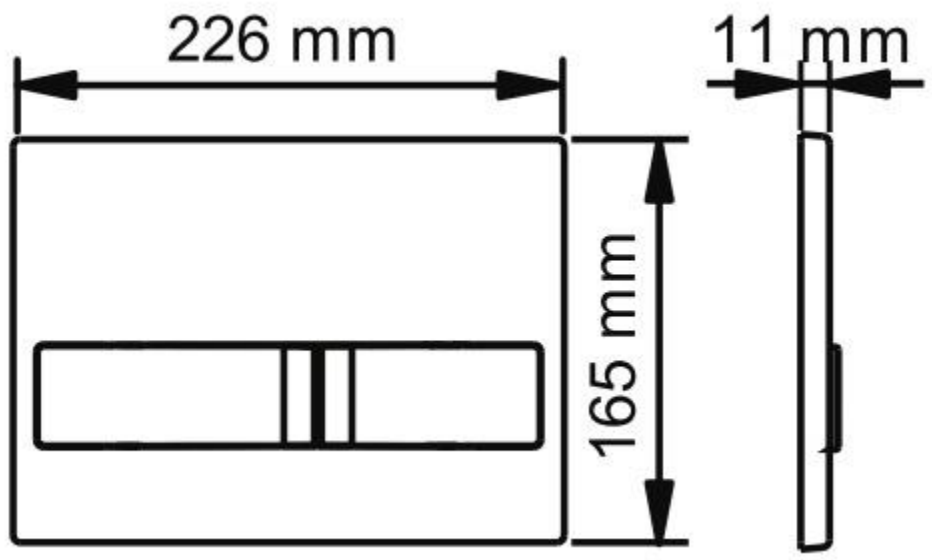
Olympos Plate Datasheet

Specification
Dual Flush
Chrome OR Matt Finish
Mechanical Buttons



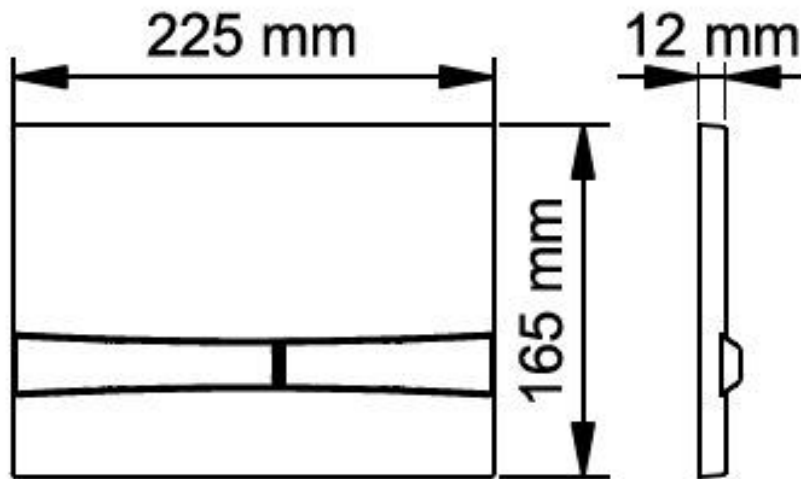
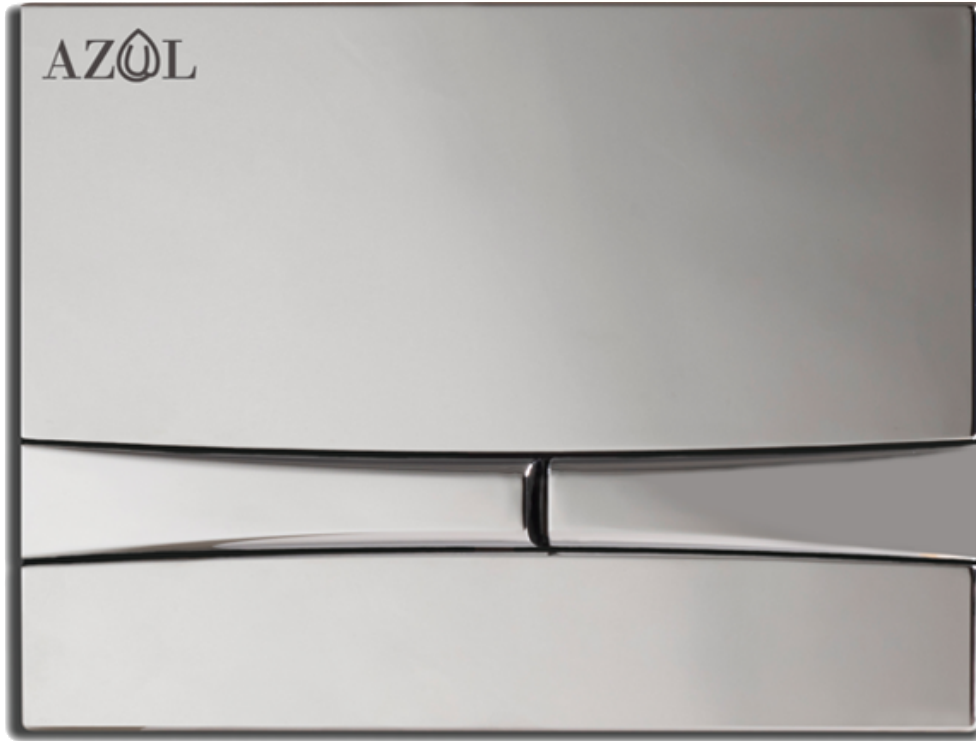
Karina Plate Datasheet

Specification
Dual Flush
Chrome OR Matt Finish
Mechanical Buttons



Mia Plate Datasheet

Specification
Dual Flush
Chrome OR Matt Finish
Mechanical Buttons



Siena Plate Datasheet

Specification
Dual Flush
Chrome OR Matt Finish
Mechanical Buttons

